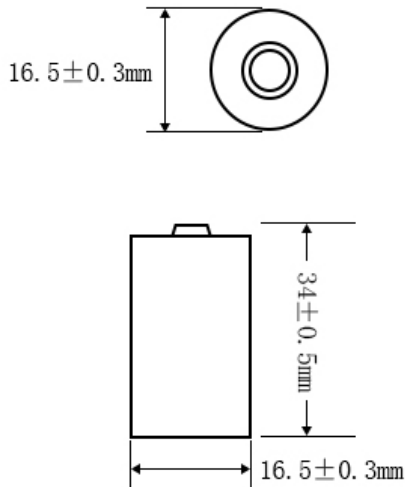


**XTAR 16340 850mAh  
Li-ion Rechargeable Battery**



**Standard Dimensions**



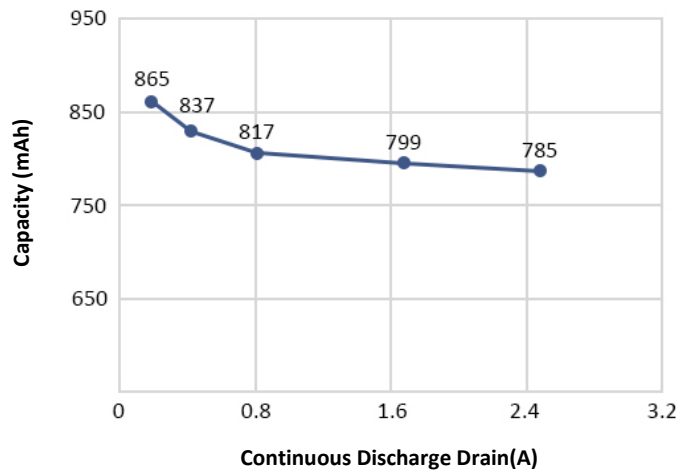
**Specifications**

<b>Nominal Capacity:</b>	850mAh
<b>Mini Capacity:</b>	800mAh
<b>Nominal Voltage:</b>	3.6V
<b>Discharge cutoff voltage:</b>	2.5V
<b>Max Continuous Discharge Current:</b>	2.5A
<b>Internal Resistance:</b>	≤ 130mΩ
<b>Cycle Life:</b>	800+
<b>Standard Charging Voltage:</b>	4.2±0.03V
<b>Standard Charging Current:</b>	170mA
<b>Max Charging Current:</b>	600mA
<b>Discharge Overcurrent Protection:</b>	3.0~4.8A
<b>Transport voltage:</b>	3.7~3.9V
<b>Protected:</b>	Yes
<b>Positive Pole:</b>	Button Top
<b>Operating Temperature:</b>	-20 to 60°C
<b>Storage Temperature:</b>	-20 to 50°C (best 25±5°C)
<b>Net Weight:</b>	≤ 18.2g

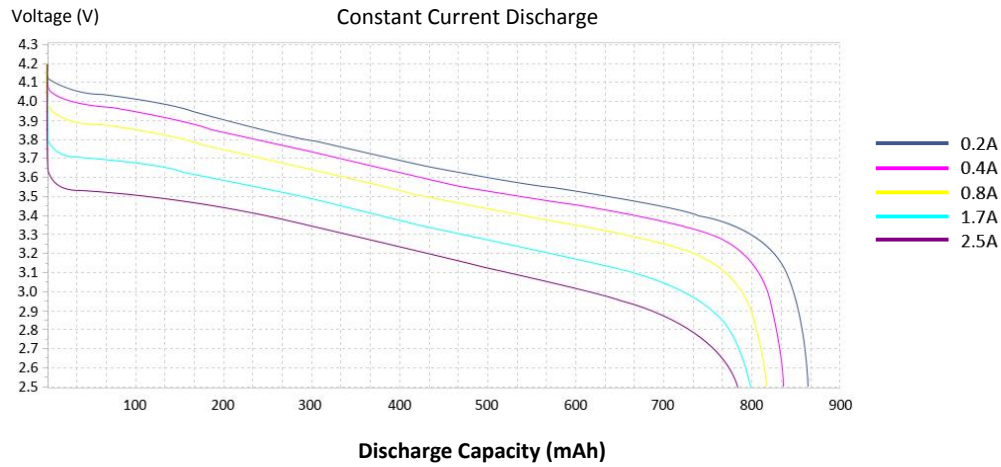
<b>Name</b>	XTAR 3.6V 16340 850mAh Li-ion Rechargeable Battery				
<b>Test Condition</b>	Tests are carried out under the temperature of 20±5°C				
<b>Test Current(A)</b>	0.2	0.4	0.8	1.7	2.5
<b>Measured Capacity (mAh)</b>	865	837	817	799	785
<b>Measured Energy (Wh)</b>	3.2	3.0	2.9	2.7	2.5

**Milliamp-Hours Capacity**

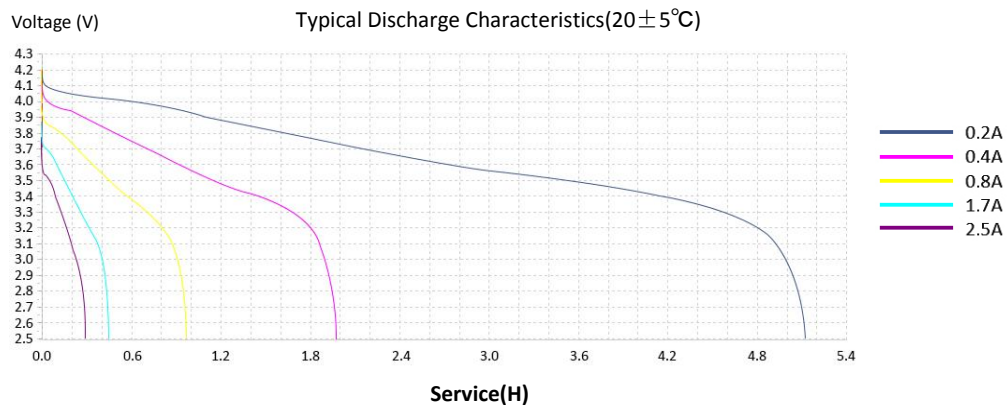
Constant Current Discharge to 2.5 Volts



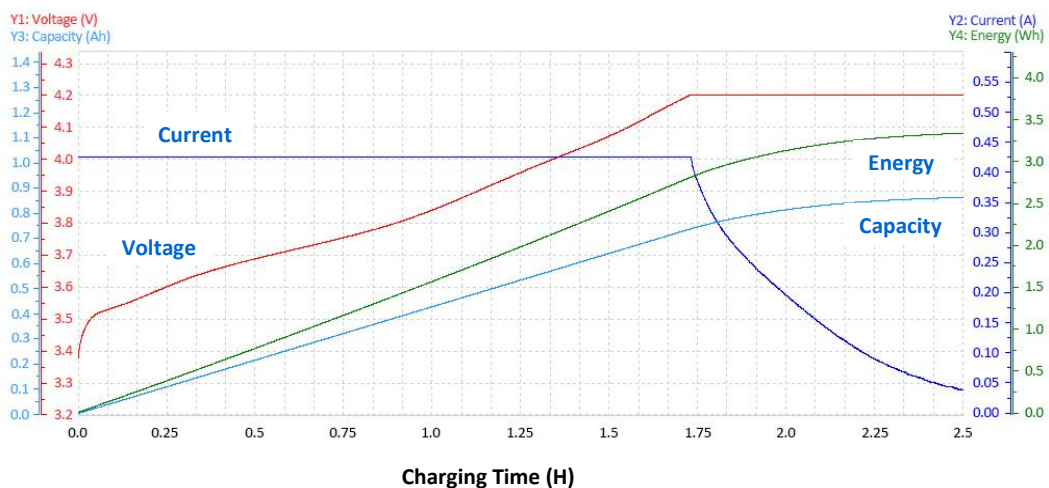
## Discharge Profile



## Constant Output Performance



## Charging Current Diagram



### Important Notice

This data sheet contains typical information specific to batteries manufactured at the time of its publication.

**Contents herein do not constitute a warranty.**

©XTAR - All Rights Reserved